

LED Work Light - Model 528

PRODUCT INFORMATION

| | |
|--------------------------------------|--|
| Description | 12-24V LED White Work Light |
| Height | 123.00 mm / 4.84 in |
| Width | 258.00 mm / 10.16 in |
| Depth | 102.00 mm / 4.02 in |
| Shape | Rectangular |
| Outer Lens Material | Glass |
| Outer Lens Color | Clear |
| Housing Material | Xenoy |
| Housing Color | Black |
| Bezel Color | Black |
| Mounting Hardware Description | (x2) M8-1.25 Mounting Bolt |
| Mounting Type | Universal Pedestal Mount |
| Minimum Operating Temperature | -40 °C / -40 °F |
| Maximum Operating Temperature | 65 °C / 149 °F |
| Connector or Wiring | Integrated 2-Pin Deutsch Weatherproof Socket (DT04-2P) |
| Mating Connector | Integrated 2-Pin Deutsch Weatherproof Plug (DT06-2S) |
| Product Weight | 2.60 lbs / 1.18 kgs |
| Shipping Weight | 5.60 lbs / 2.54 kgs |



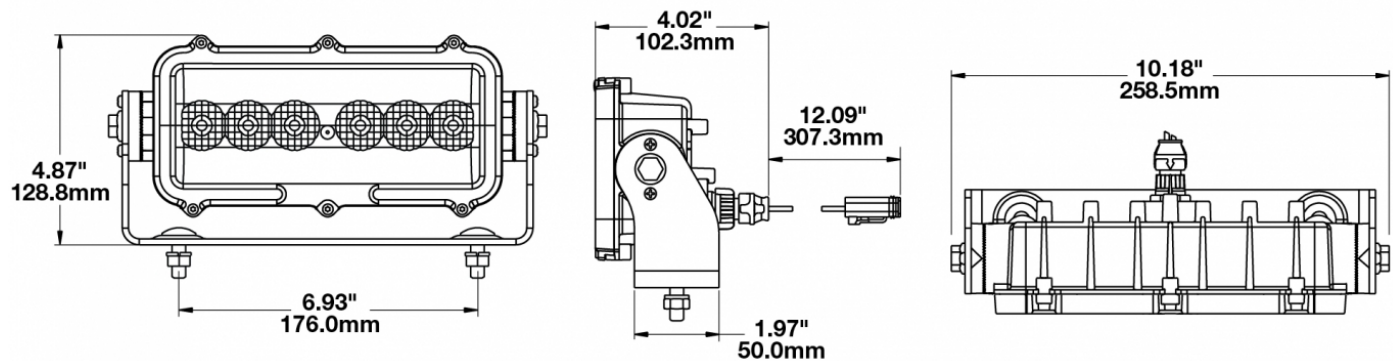
Print date: 2024-08-11

© 2024 J.W. Speaker Corporation • Germantown, WI U.S.A.
www.jwspeaker.com • speaker@jwspeaker.com • 262.251.6660

J.W. SPEAKER 
Engineered. Lighting. Solutions.

LED Work Light - Model 528

PRODUCT DIMENSIONS



ELECTRICAL SPECIFICATIONS

| | |
|--------------------------|----------------------------------|
| Input Voltage | 12-24V DC |
| Operating Voltage | 10-32V DC |
| Red Wire | Positive |
| Black Wire | Ground |
| Current Draw | 1.60A @ 12V DC 0.85A @ 24V DC |

REGULATORY STANDARDS COMPLIANCE



Buy America Standards
IEC IP69K

Eco Friendly

Print date: 2024-08-11

© 2024 J.W. Speaker Corporation • Germantown, WI U.S.A.
www.jwspeaker.com • speaker@jwspeaker.com • 262.251.6660

J.W. SPEAKER
Engineered. Lighting. Solutions.

LED Work Light - Model 528

PHOTOMETRIC SPECIFICATIONS

| | |
|--------------------------------------|-----------------------------------|
| Raw Lumen Output | 2,400 |
| Effective Lumen Output | 1,500 |
| Candela Output | 2,800 |
| Nominal LED Color Temperature | 5700 K |
| Beam Pattern(s) | Forward Lighting - Flood (Medium) |

APPLICATIONS



PRODUCT WARNINGS

For California residents:

⚠ **WARNING:** Cancer and reproductive harm - www.P65Warnings.ca.gov.

⚠ **AVERTISSEMENT:** Cancer et effet nocif sur la reproduction - www.P65Warnings.ca.gov.

Print date: 2024-08-11

© 2024 J.W. Speaker Corporation • Germantown, WI U.S.A.
www.jwspeaker.com • speaker@jwspeaker.com • 262.251.6660

J.W. SPEAKER 
Engineered. Lighting. Solutions.